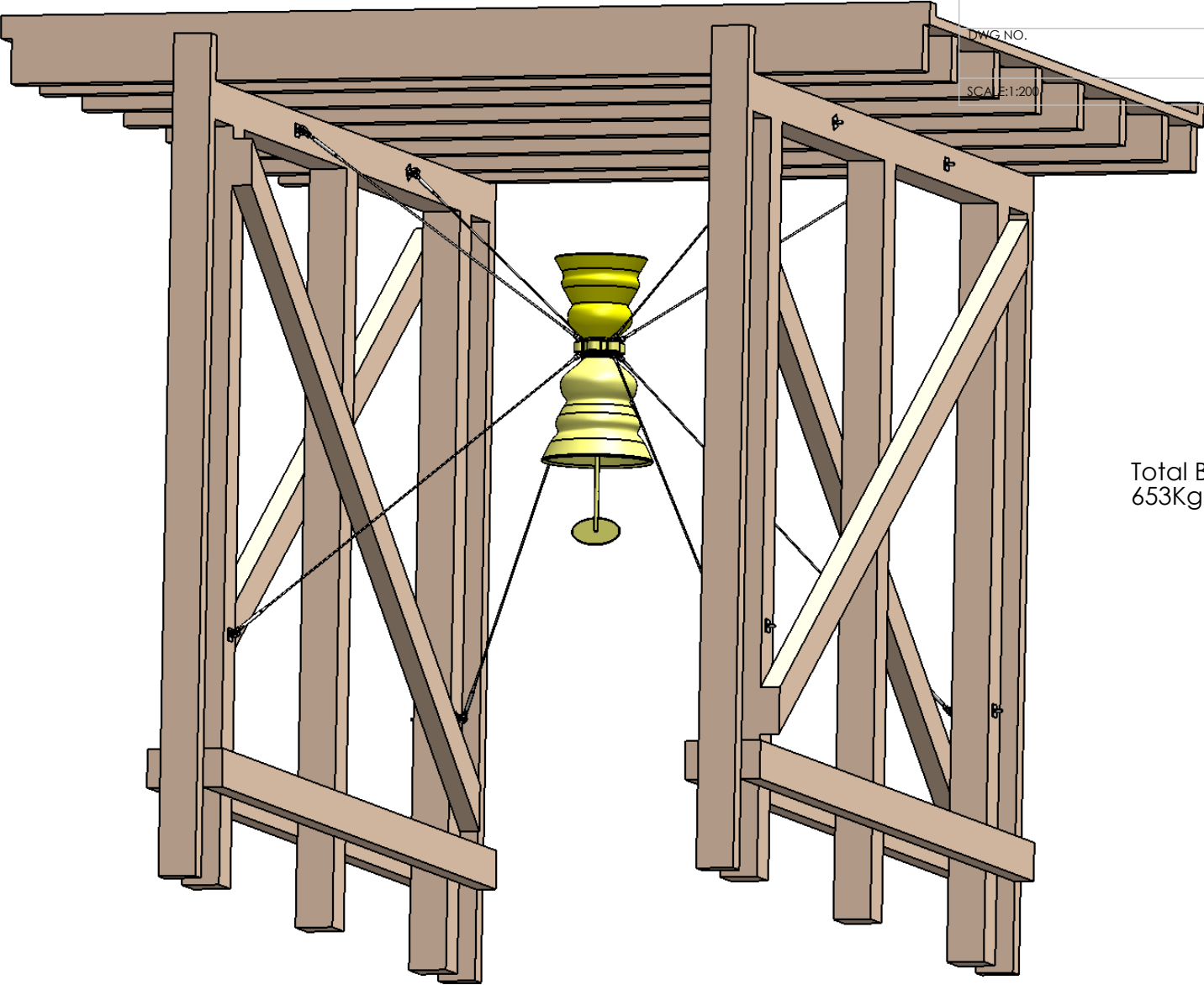
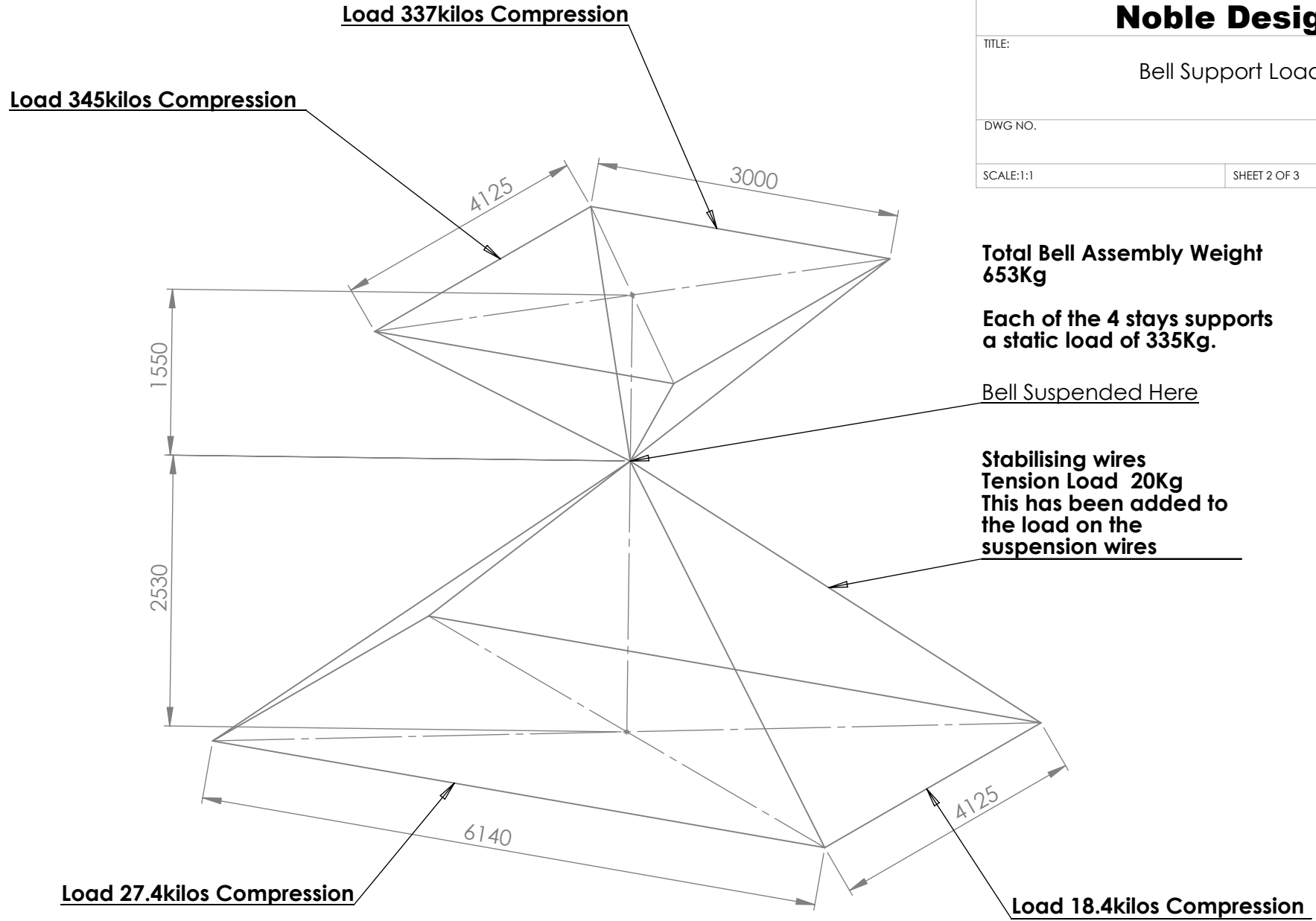


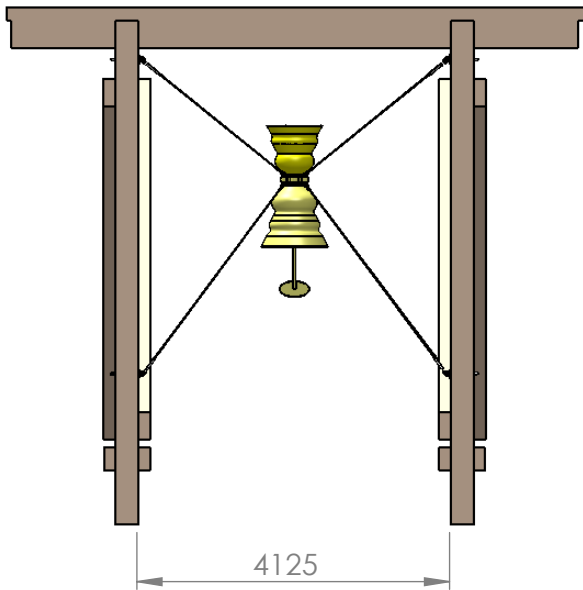
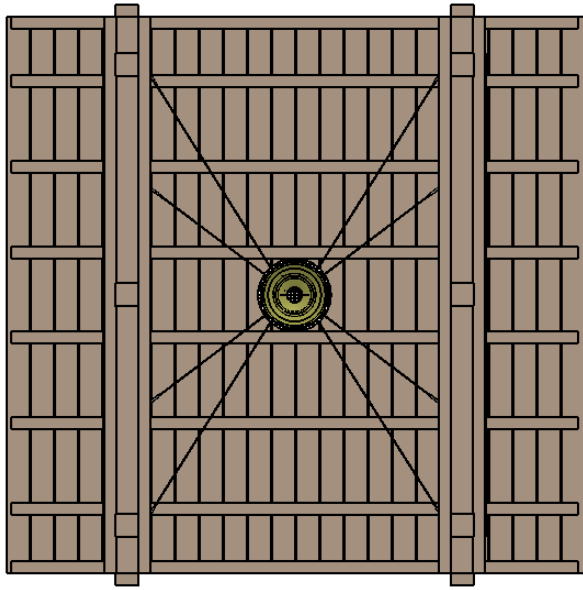
DO NOT SCALE DRAWING	REVISION
Noble Design	
TITLE: Bell Support Loads	
DWG NO.	A4
SCALE: 1:200	SHEET 1 OF 3



Total Bell Assembly Weight
653Kg

DO NOT SCALE DRAWING		REVISION
Noble Design		
TITLE: Bell Support Loads		
DWG NO.		A4
SCALE:1:1	SHEET 2 OF 3	





DO NOT SCALE DRAWING	REVISION
Noble Design	
TITLE: Bell Support Loads	
DWG NO.	A4
SCALE:1:1	SHEET 3 OF 3

